

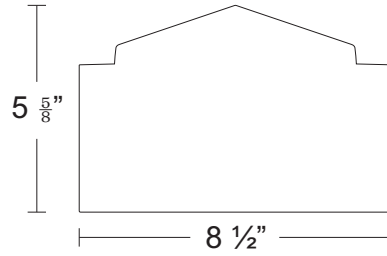
TEL 916-386-1430
FAX 916-386-0605

HANDALSTONE

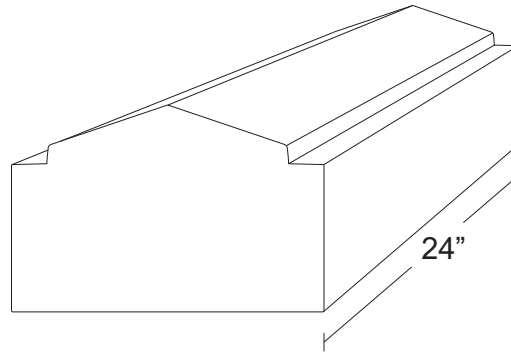
Handalstone@sbcglobal.net
www.handalstone.com

Wall Caps

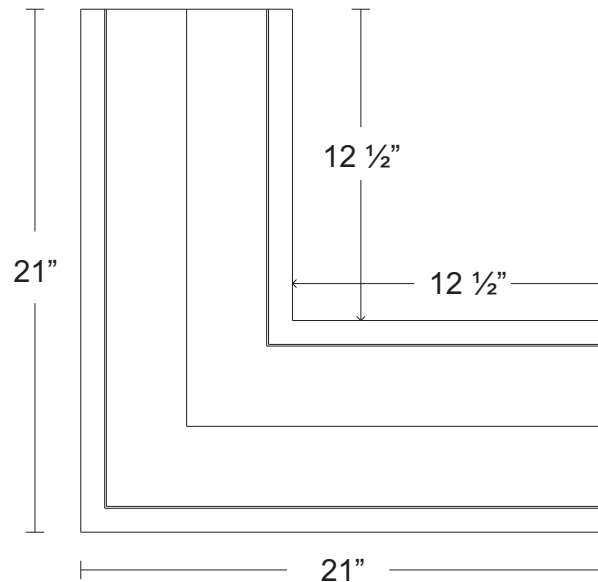
Product Code: WC537



WC537



WC537-S



WC537-C