

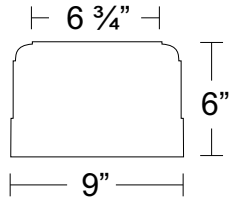
TEL 916-386-1430
FAX 916-386-0605

HANDALSTONE

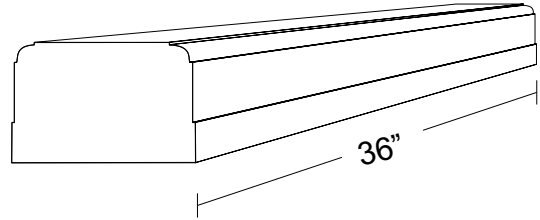
Handalstone@sbcglobal.net
www.handalstone.com

Wall Caps

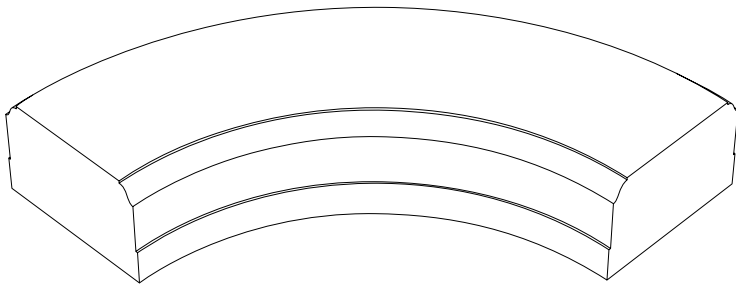
Product Code: WC112



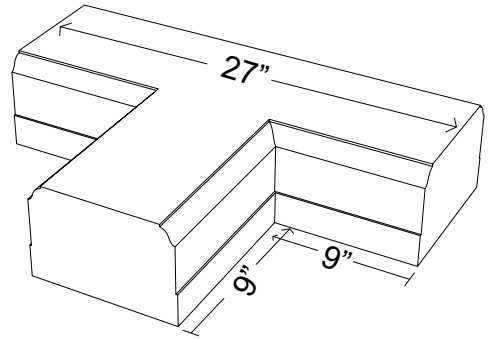
WC112-9



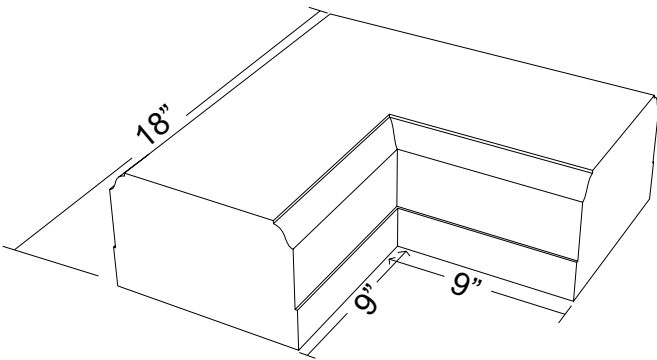
WC112-9-S



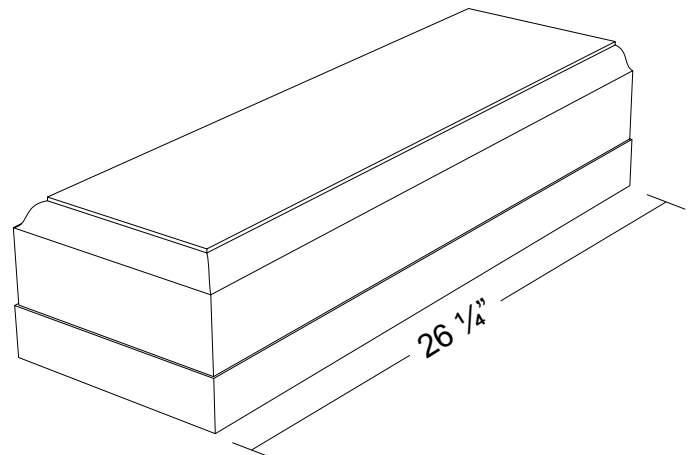
WC112-9-R



WC112-9-T



WC112-9-C



WC112-9-E