

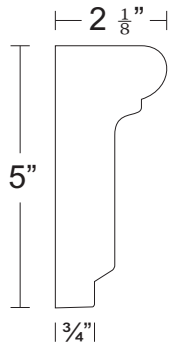
TEL 916-386-1430
FAX 916-386-0605

HANDALSTONE

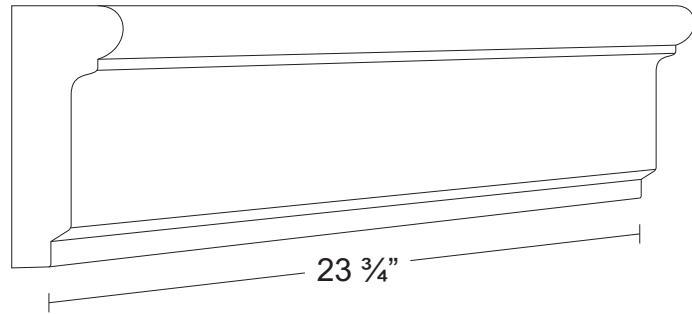
Handalstone@sbcglobal.net
www.handalstone.com

Molding

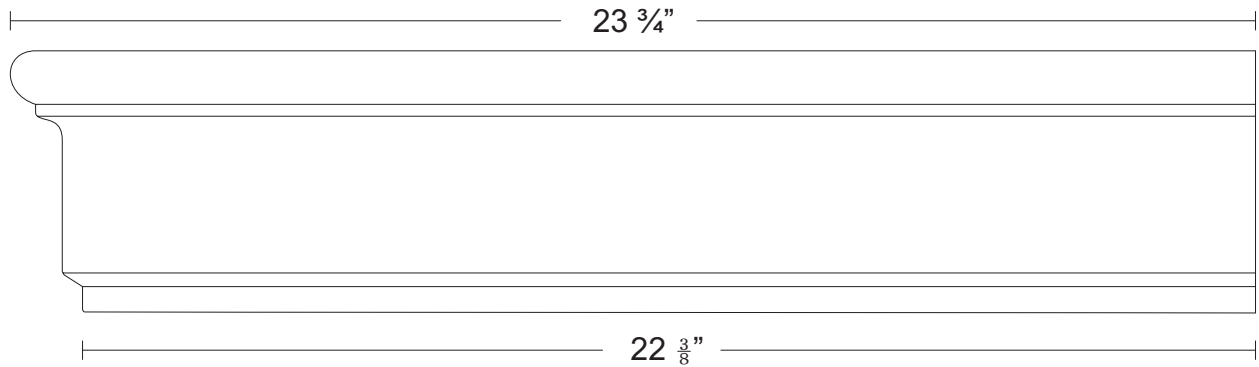
Product Code: M542



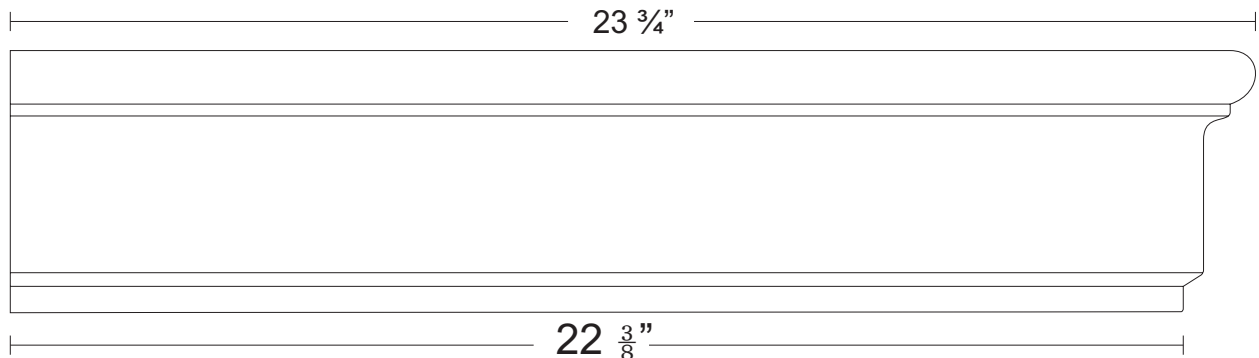
M542



M542-S



M542-LR



M542-RR