

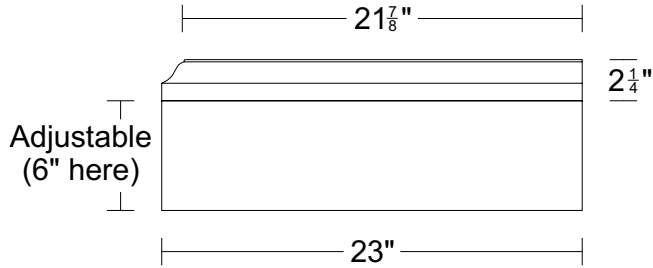
TEL 916-386-1430
FAX 916-386-0605

HANDALSTONE

Handalstone@sbcglobal.net
www.handalstone.com

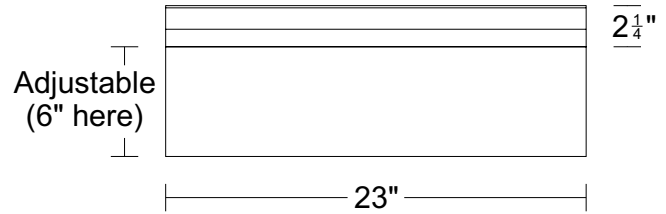
Fireplace Mantels

Product Code: HRTH2-Raised



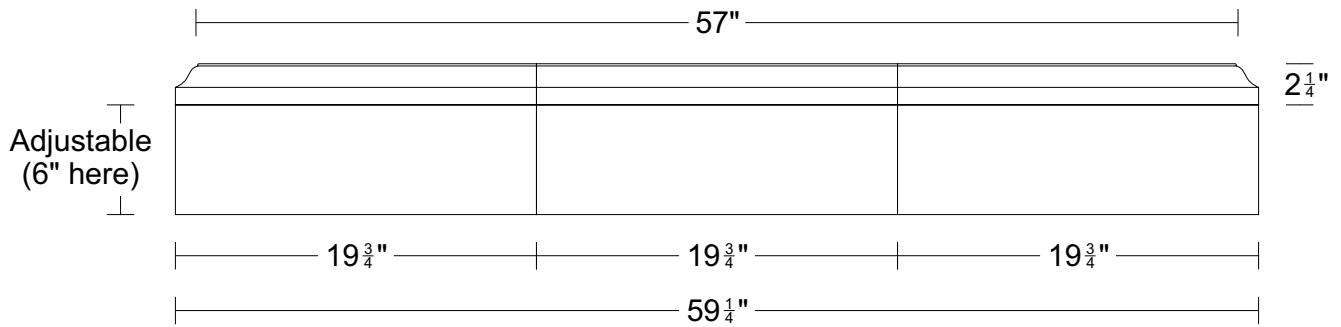
HRTH2-RAISED-C

Depth 21 7/8"



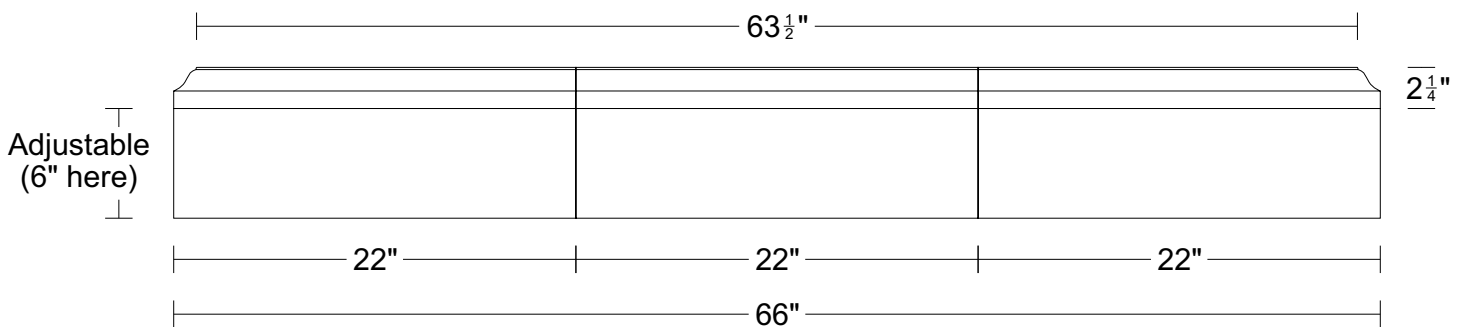
HRTH2-RAISED-S

Depth 21 3/8"



HRTH2-RAISED-59

Depth 16"



HRTH2-RAISED-66

Depth 20"